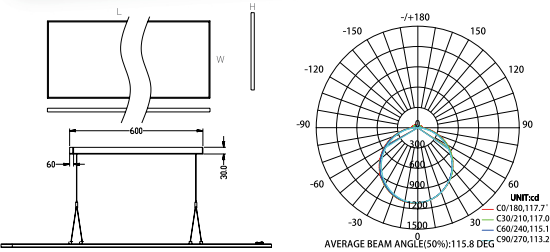
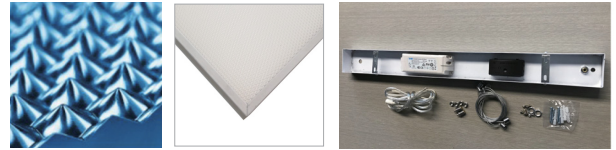


UGR<19 PENDANT LIGHT

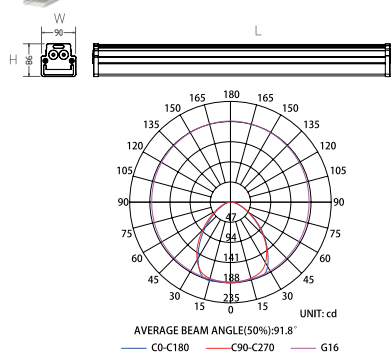


- Simple design, special use in the office and library
- Soft light output, UGR<19
- Driver built-in the ceiling canopy
- PMMA LGP, anti-yellowing



Model No.	Wattage	Luminous	LED Flux	Dimension (LxWxHmm)
VLP-N-UGR-1412036PT	36W	2800Lm	SMD4014	145x1195x14mm
VLP-N-UGR-2012036PT	36W	3240Lm	SMD4014	195x1195x14mm

IP54 TRUNK LINEAR LIGHT



Efficiency	Model No.	Wattage	Luminous Flux	LED	Dimension (LxWxHmm)
120Lm/W	VLP-TP-124R	24W	2880Lm	SMD2835	570x90x86mm
120Lm/W	VLP-TP-440R	40W	4800Lm	SMD2835	1135x90x86mm
120Lm/W	VLP-TP-540R	40W	4800Lm	SMD2835	1415x90x86mm
120Lm/W	VLP-TP-560R	60W	7200Lm	SMD2835	1415x90x86mm
120Lm/W	VLP-TP-124RX	24W	2880Lm	SMD2835	570x90x86mm
120Lm/W	VLP-TP-440RX	40W	4800Lm	SMD2835	1135x90x86mm
120Lm/W	VLP-TP-540RX	40W	4800Lm	SMD2835	1415x90x86mm
120Lm/W	VLP-TP-560RX	60W	7200Lm	SMD2835	1415x90x86mm

*X=3/5/7, means 3 wire, 5 wires, 7 wires, 9 wires

Ordering Code: VLP - T - V - XXW - ZZZ

Example: VLP-N-UGR-2012036PT-36W-830, VLP-TP-440R3-40W-840

T = Type.: N-UGR (UGR Pendant), TP (Trunk Linear)

V = Model no.: 1412036PT, 560R...

XX = (Watt) e.g. 24W, 36W, 40W, 60W

ZZZ = the code for color rendering and color temperature, eg. 827 = CRI >80 and CCT - 2700K; 830 = CRI >80 and CCT - 3000K; 840 = CRI >80 and CCT - 4000K