



Recessed Mounting

Surface Mount Casing



## LED Downlight EcoMax Slim ES-II

### Features

- High Lumen Output
- Long lifespan
- Easy to installation

### Benefits

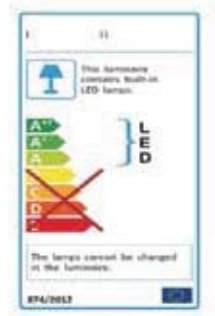
- Up to 50% energy saving compared to conventional downlight
- Lasts 3 times longer than conventional downlight , up to 30000hrs lifetime
- Driver on board in compact size ensure 1 step plug-and-play installation

### Application



### Specification

Item Code	Item Description	Power (W)	Power Factor	Lumen (lm)	Efficacy (lm/W)	Beam Angle (°)	CRI	Rated Current (mA)	CCT (K)	Lifetime (L70B50)
140053269	LEDDownlightRc-ESII R100-6W-3000-WH-NV	6	0.45	380	63	110	80	55	3000	30000
140053270	LEDDownlightRc-ESII R100-6W-4000-WH-NV	6	0.45	400	67	110	80	55	4000	30000
140053271	LEDDownlightRc-ESII R100-6W-6000-WH-NV	6	0.45	400	67	110	80	55	6000	30000
140053272	LEDDownlightRc-ESII R150-12W-3000-WH-NV	12	0.50	810	68	110	80	100	3000	30000
140053273	LEDDownlightRc-ESII R150-12W-4000-WH-NV	12	0.50	850	71	110	80	100	4000	30000
140053274	LEDDownlightRc-ESII R150-12W-6000-WH-NV	12	0.50	850	71	110	80	100	6000	30000
140053275	LEDDownlightRc-ESII R200-18W-3000-WH-NV	18	0.50	1250	69	110	80	155	3000	30000
140053276	LEDDownlightRc-ESII R200-18W-4000-WH-NV	18	0.50	1300	72	110	80	155	4000	30000
140053277	LEDDownlightRc-ESII R200-18W-6000-WH-NV	18	0.50	1300	72	110	80	155	6000	30000
140053278	LEDDownlightRc-ESII R200-24W-3000-WH-NV	24	0.50	1620	68	110	80	190	3000	30000
140053279	LEDDownlightRc-ESII R200-24W-4000-WH-NV	24	0.50	1700	71	110	80	190	4000	30000
140053280	LEDDownlightRc-ESII R200-24W-6000-WH-NV	24	0.50	1700	71	110	80	190	6000	30000
140053281	LEDDownlightRc-ESII S100-6W-3000-WH-NV	6	0.45	380	63	110	80	55	3000	30000
140053282	LEDDownlightRc-ESII S100-6W-4000-WH-NV	6	0.45	400	67	110	80	55	4000	30000
140053283	LEDDownlightRc-ESII S100-6W-6000-WH-NV	6	0.45	400	67	110	80	55	6000	30000
140053284	LEDDownlightRc-ESII S150-12W-3000-WH-NV	12	0.50	810	68	110	80	100	3000	30000
140053285	LEDDownlightRc-ESII S150-12W-4000-WH-NV	12	0.50	850	71	110	80	100	4000	30000
140053286	LEDDownlightRc-ESII S150-12W-6000-WH-NV	12	0.50	850	71	110	80	100	6000	30000
140053287	LEDDownlightRc-ESII S200-18W-3000-WH-NV	18	0.50	1250	69	110	80	155	3000	30000
140053288	LEDDownlightRc-ESII S200-18W-4000-WH-NV	18	0.50	1300	72	110	80	155	4000	30000
140053289	LEDDownlightRc-ESII S200-18W-6000-WH-NV	18	0.50	1300	72	110	80	155	6000	30000
140053290	LEDDownlightRc-ESII S200-24W-3000-WH-NV	24	0.50	1620	68	110	80	190	3000	30000
140053291	LEDDownlightRc-ESII S200-24W-4000-WH-NV	24	0.50	1700	71	110	80	190	4000	30000
140053292	LEDDownlightRc-ESII S200-24W-6000-WH-NV	24	0.50	1700	71	110	80	190	6000	30000



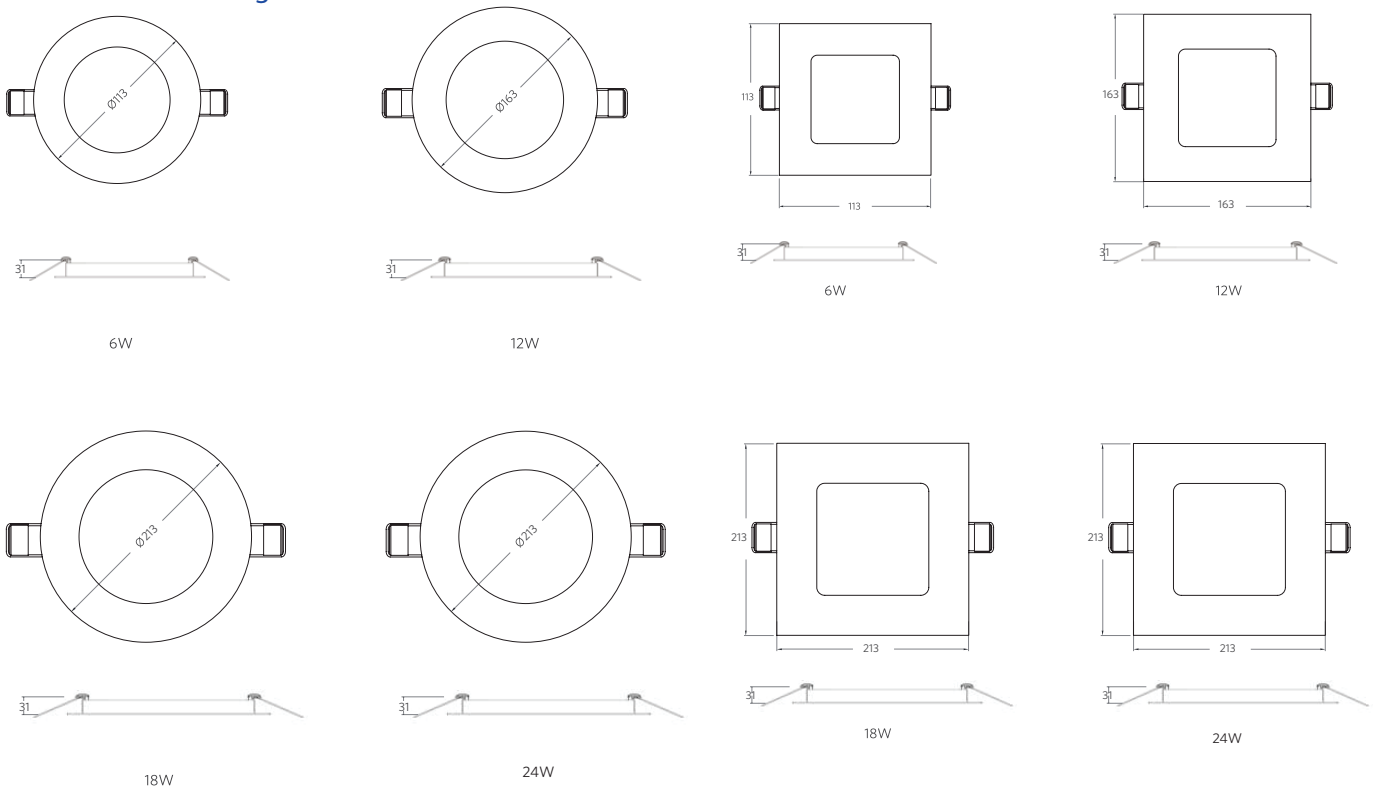
Technical Specifications	
On / Off Cycles	50,000
Colour Consistency (SDCM)	6
Dimmable	No
Beam Angle (°)	110
Finishing Colour	White
IP	IP44, IP20 for recessed parts
Driver Integrated (Yes/No)	YES
Glow Wire Test	650 °C
Driver Failure Rate	1% at 5000h
Weight (kg/pc)	0.13/0.23/0.41/0.41/0.15 /0.24/0.51/0.51

Electrical Supply	
Frequency (Hz)	50/60
Voltage (V)	220-240
AC/DC	AC

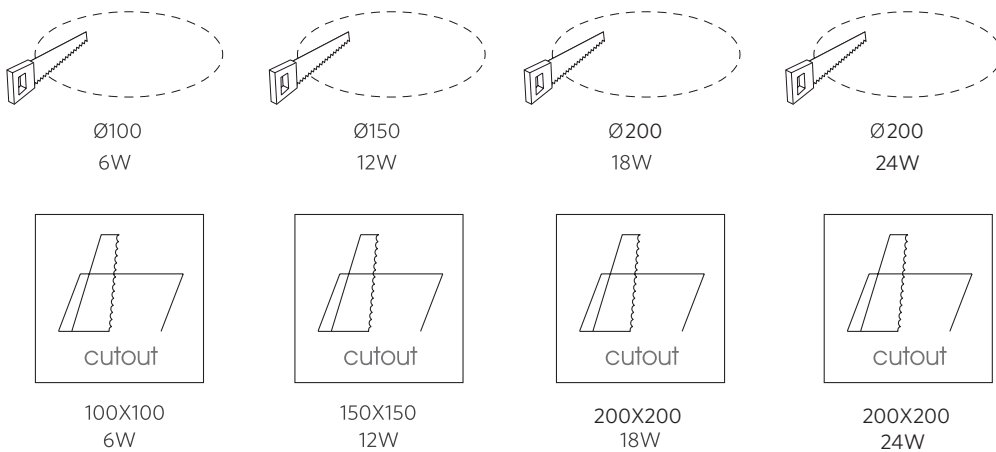
Mechanical Properties	
Housing Material	Metal
Optical Material	PMMA

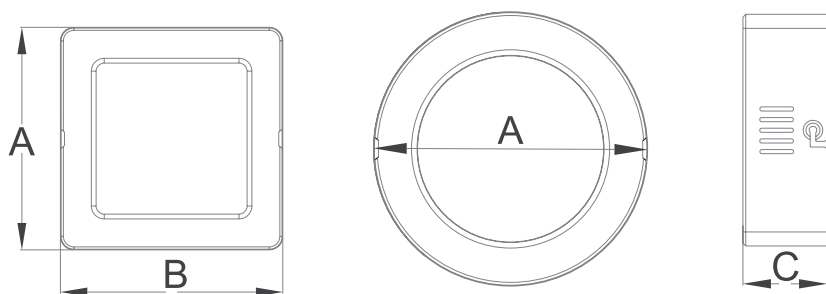
Application Conditions	
Operating Temperature	-10-40 °C
Application Temperature	25 °C
Storage Environment	-25-50 °C

## Dimensional Drawing



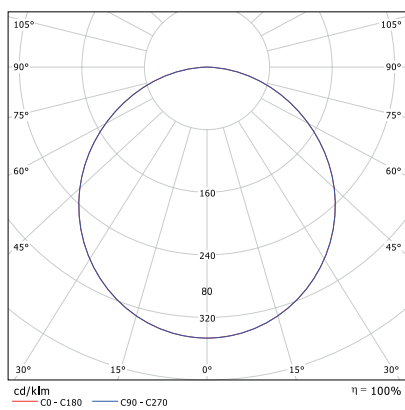
## Cut-out Drawing





Type	A(mm)	B(mm)	C(mm)
LEDDL-Sm-ESII R100-WH-GP	115	/	60
LEDDL-Sm-ESII R150-WH-GP	165	/	60
LEDDL-Sm-ESII R200-WH-GP	215	/	60
LEDDL-Sm-ESII S100-WH-GP	115	115	60
LEDDL-Sm-ESII S150-WH-GP	165	165	60
LEDDL-Sm-ESII S200-WH-GP	215	215	60

## Photometric Data



110° (6W/12W/18W/24W)