

REEL-AUTOLIFTER

Compact type

CSI-12

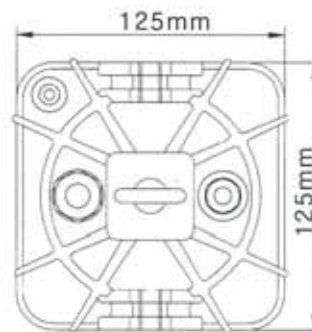
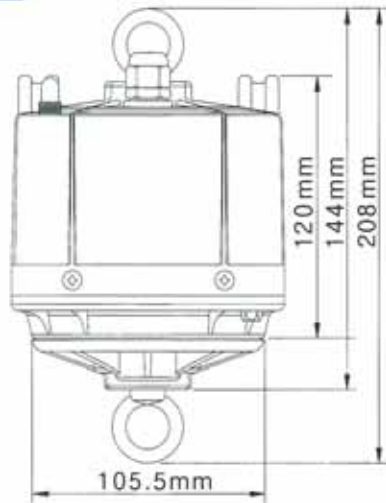


The Reel-Autolifter is a well-designed, highly reliable and compact lowering and raising device suitable for use with high bay luminaires, chandeliers, pendant downlights and advertising banners in places where they are difficult to access and maintenance is complicated and expensive.

This electrically-operated lowering and raising device eliminates the need to hire professionals, expensive cranes, scissor lifts and boom lifts to clean and

maintain the luminaires and to carry out lamp replacement works. With these auto-lifters, replacing of lamps will take only a few minutes and hence saves time and money.

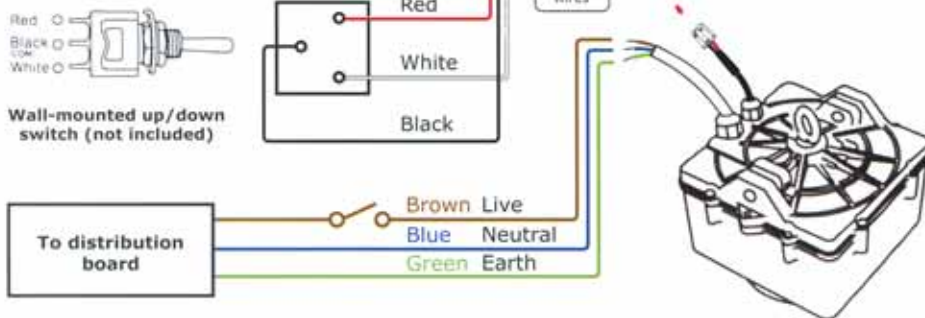
The Reel-Autolifters are applicable for use in factories, warehouses, convention and exhibition centres, sports halls, gymnasiums, art centres, banquet halls, petrol stations, railway stations, auditoriums, hotels etc.



CDI-15



Wiring Diagram



Easy Installation

The lifter can be installed simply by the use of hanger hooks.



Cost-Effective

No added expenses for the rent of lifting equipment.



Model No.	CSI-12	CDI-15
Unit Net Weight (KGS)	2.5KGS	2.5KGS
Lifting Weights (KGS)	3~12KGS	3~15KGS
Lifting Distance (M)	15M	10M
Number of hoisting wire	1	2
Wire O.D. (SUS304 7x19)	1.4mm	1.2mm
Rated current of illuminator	16A	16A
Standby current (power)	0.04A	0.04A
Lifter loading current	0.3A	0.3A
Rated input	AC 240V / 50Hz	AC 240V / 50Hz